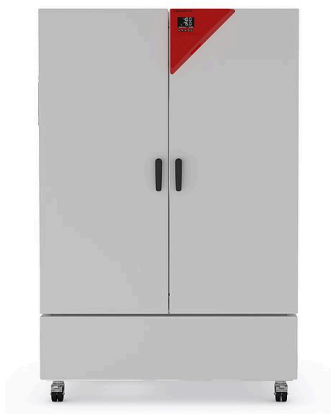


Model KB ECO 720 | Cooling incubators with environmentally friendly thermoelectric cooling

Thanks to thermoelectric cooling technology with patented heat dissipation, the new KB ECO cooling incubator is one of the most energy-efficient cooling incubator on the market. The thermoelectric cooling technology means the KB ECO series is also very quiet during operation.

BENEFITS

- Safe: Unique condensate and dry-out protection for all operating conditions
- Reliable: Fail-safe operation due to intelligent thermoelectric tempering
- Smart: Temperatures programmable for intermitted incubation and refrigeration
- Economical: Minimum energy consumption thanks to optimized thermoelectric cooling



Model 720



Model 720

MAIN FEATURES

- Temperature range: 0 °C through +70 °C (max. 26 °C below the ambient temperature)
- APT.line™ preheating chamber technology
- Electric temperature control thanks to thermoelectric cooling module with innovative heat dissipation
- Inner door made of tempered safety glass
- Inner chamber made completely of stainless steel
- 2 stainless steel racks
- Adjustable condensate protection
- Access port with silicone plug Ø 30 mm
- LCD to display temperature along with additional information and alarms
- Internal data logger, measured values can be read out in open format via USB
- Unit self-test for comprehensive status analysis
- Computer interface: Ethernet

ORDERING INFORMATION

Interior volume [L]	Voltage	Option model	Version	Art.-No.
700	200...230 V 1~ ph 50/60 Hz	Standard	KBECO720-230V	9020-0424
	100...120 V 1~ ph 50/60 Hz	Standard	KBECO720UL-120V	9020-0427

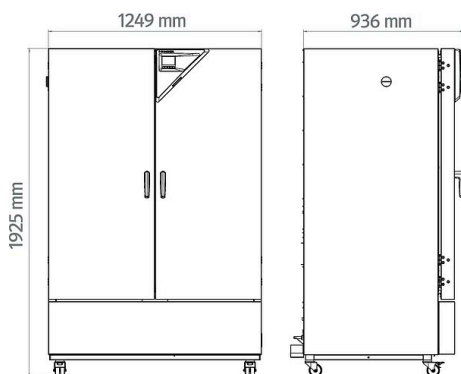
TECHNICAL DATA

Description	KBECO720-230V ¹	KBECO720UL-120V ¹
Article Number	9020-0424	9020-0427
Performance Data Temperature		
Temperature range (max. 26 °C under ambient temperature) [°C]	0...70	0...70
Temperature variation at 37 °C [± K]	0.1	0.1
Temperature fluctuation at 37 °C [± K]	0.1	0.1
Max. heat compensation at 40 °C [W]	500	500
Recovery time after 30 seconds door open at 37 °C [min]	4	4
Electrical data		
Rated Voltage [V]	200...230	100...120
Power frequency [Hz]	50/60	50/60
Nominal power [kW]	1.3	1.3
Unit fuse [A]	16	16
Phase (Nominal voltage)	1~	1~
Measures		
Interior volume [L]	700	700
Net weight of the unit (empty) [kg]	272	272
Permitted load [kg]	150	150
Load per rack [kg]	45	45
Wall clearance back [mm]	100	100
Wall clearance sidewise [mm]	100	100
Internal Dimensions		
Width [mm]	973	973
Height [mm]	1250	1250
Depth [mm]	576	576
Doors		
Inner doors	2	2
Unit doors	2	2
Housing dimensions not incl. fittings and connections		
Width net [mm]	1250	1250
Height net [mm]	1925	1925
Depth net [mm]	885	885
Environment-specific data		
Sound-pressure level [dB(A)]	47	47
Fixtures		
Number of shelves (std./max.)	2/15	2/15

¹ All technical data is specified for unloaded units with standard equipment at an ambient temperature of +22 °C ±3 °C and a power supply voltage fluctuation of ±10 %. The temperature data is determined to BINDER factory standard following DIN 12880, observing the recommended wall clearances of 10 % of the height, width, and depth of the inner chamber. Technical data refers to 100 % fan speed. All indications are average values, typical for units produced in series. We reserve the right to change technical specifications at any time.

For model KB ECO 240 and KB ECO 400 temperature differences are possible up to 28 °C below ambient temperature; for models KB ECO 720 and KB ECO 1020, temperature differences are possible up to 26 °C below ambient temperature.

The lowest operating temperature for all units is 0 °C irrespective of the ambient temperature.

DIMENSIONS incl. fittings and connections [mm]**OPTIONS**

Designation	Description	*	Art.-No.
	left		
	30 mm	01	8012-2113
	50 mm	01	8012-2120
	100 mm	01	8012-2118
	right		
Access port with silicone plug	30 mm	01	8012-2112
	50 mm	01	8012-2119
	100 mm	01	8012-2117
	top		
	30 mm	01	8012-2114
	50 mm	01	8012-2115
	100 mm	01	8012-2116
Calibration certificate, expanded	for temperature; for extending the measurement in center of chamber to include another test temperature	-	8012-2107
	for temperature, measurement in center of chamber at specified temperature	-	8012-2106
Calibration certificate, temperature	temperature measurement incl. certificate and 27 measuring points at specified temperature	-	8012-2110
	temperature measurement incl. certificate, 15- 18 measuring points at specified temperature	-	8012-2109
	temperature measurement incl. certificate, 9 measuring points at specified temperature	-	8012-2108
Door lock	lockable door handle	-	8012-2122

* Notes › See last page

ACCESSORIES

Designation	Description	*	Art.-No.
APT-COM™ 4 BASIC-Edition	for simple logging and documentation requirements with up to 5 networked units. version 4, BASIC edition	-	9053-0039
APT-COM™ 4 GLP-Edition	for working under GLP-compliant conditions. Measured values are documented in a tamper-proof way in line with the requirements of FDA Regulation 21 CFR 11. version 4, GLP edition	-	9053-0042
APT-COM™ 4 PROFESSIONAL-Edition	convenient unit and user management built on the BASIC edition. Suitable for networking up to 100 units. version 4, PROFESSIONAL edition	-	9053-0040

* Notes › See last page

Designation	Description	*	Art.-No.	
LED light bars	Basic set consisting of 2 pieces, attachment material, control unit for max. 4 light strips, 100-240 V, 50/60 Hz			
	Basic set 300, length 30 cm	-	8012-1107	
	Basic set 500, length 50 cm	-	8012-1108	
	Basic set 900, length 90 cm	-	8012-1109	
	Expansion set consisting of 2 pieces, attachment material: clips. For expanding the basic set of light bars			
	Expansion set 300, length 30 cm	-	8012-1716	
	Expansion set 500, length 50 cm	-	8012-1717	
pH-neutral detergent	concentrated, for gentle remove of residual contaminants; 1 kg	-	1002-0016	
	Qualification documents	IQ/OQ documents – supporting documents for validation performed by customers, consisting of: IQ/OQ checklists incl. calibration guide and comprehensive unit documentation; parameters: temperature and humidity values		
		Digital in PDF format	-	7057-0002
Hard copy inside folder		-	7007-0002	
IQ/OQ/PQ documents – supporting documents for validation performed by customers, according to customer requirements, PQ section added to qualification folder IQ/OQ; parameters: temperature and humidity values				
Digital in PDF format	-	7057-0006		
Hard copy inside folder	-	7007-0006		
Rack	stainless steel	-	8012-2051	
Rack, reinforced	stainless steel, with fasteners (1 set of 4)	-	8012-0674	
Shelf, perforated	Stainless steel	-	8009-0486	

* Notes › See last page

SERVICES

Designation	Description	*	Art.-No.
Installation services			
Unit commissioning	Connect the unit to the customer-side connections (electricity, water, wastewater, gas), basic functions check, brief operating instructions. (excl.: unpacking, setup, controller instructions, programming, installation work)	05	DL10-0100
Unit instructions	Instruction regarding operating principle and basic functions of the unit, operation of the control electronics including programming	05	DL10-0500
Maintenance contracts			
Maintenance services			
BRONZE 3-year maintenance contract	Maintenance service as contractually agreed, visual inspection of mechanical and electrical components, check of control response, 20% discount on spare parts	05	DL20-0710
GOLD 3-year maintenance contract	Maintenance service as contractually agreed, visual inspection of mechanical and electrical components, check of control response, 20% discount on spare parts, testing of all key functions, replacement of wear parts, calibration of one test temperature specified by the user in the center of the usable space, including certificate	05	DL20-0910
Maintenance	One-off maintenance service in accordance with maintenance schedule. Visual inspection of mechanical and electrical components, testing of all key functions. Calibration of a test temperature specified by the user in center of usable space without certificate	05	DL20-0200
SILVER 3-year maintenance contract	Maintenance service as contractually agreed, visual inspection of mechanical and electrical components, check of control response, 20% discount on spare parts, testing of all key functions, calibration of one test temperature specified by the user in the center of the usable space, without certificate	05	DL20-0810
Calibration services			
Calibration certificate, temperature	Calibration of one (1) test temperature specified by the user in center of chamber, including certificate	03, 04, 05	DL30-0101
	Extension of calibration of one (1) additional test temperature specified by the user in the center of the usable space, including certificate	03, 04, 05	DL30-0102
Temperature measurement, 18 measuring points	Temperature measurement with 18 measuring points with a set value specified by the user, including certificate	03, 04, 05	DL30-0118
Temperature measurement, 27 measuring points	Temperature measurement with 27 measuring points with a set value specified by the user, including certificate	03, 04, 05	DL30-0127

* Notes › See last page

Designation	Description	*	Art.-No.
Temperature measurement, 9 measuring points	Temperature measurement with 9 measuring points with a set value specified by the user, including certificate	03, 04, 05	DL30-0109
Validation services			
Execution of IQ/OQ	Execution of IQ/OQ in accordance with qualification folder	05	DL41-0200
Execution of IQ/OQ/PQ	Execution of IQ/OQ/PQ in accordance with qualification folder	05	DL44-0500

* Notes › See last page

NOTES

- 01 Condensation may occur in the area around the access port. Access ports may be placed in custom locations for an additional charge.
- 02 UL mark is not granted when this option is used.
- 03 Sensor calibration is performed in an accredited calibration laboratory.
- 04 Calibration is performed according to the BINDER factory standard.
- 05 Quoted prices do not include travel costs. Please refer to the chapter on BINDER Service for travel costs for your region. Quoted prices for services performed in Switzerland do not include a country-specific added fee (available on request).

BINDER GmbH

Tuttlingen, Germany
TEL +49 7462 2005 0
FAX +49 7462 2005 100
info@binder-world.com
www.binder-world.com

BINDER Asia Pacific (Hong Kong) Ltd.

Kowloon, Hong Kong, P.R. China
TEL +852 39070500
FAX +852 39070507
asia@binder-world.com
www.binder-world.com

Representative Office for CIS

Moscow, Russia
TEL +7 495 988 15 16
FAX +7 495 988 15 17
russia@binder-world.com
www.binder-world.com



Helago-CZ s.r.o.
Kladská 1082
500 03 Hradec Králové
Tel.: 495 220 229, 495 220 394
Fax: 495 220 154
<http://www.helago-cz.cz>
E-mail: info@helago-cz.cz

**BINDER Environmental Testing
Equipment (Shanghai) Co., Ltd.**

Shanghai, P.R. China
TEL +86 21 685 808 25
FAX +86 21 685 808 29
china@binder-world.com
www.binder-world.com

BINDER Inc.

Bohemia, NY, USA
TEL +1 631 224 4340
FAX +1 631 224 4354
usa@binder-world.com
www.binder-world.us